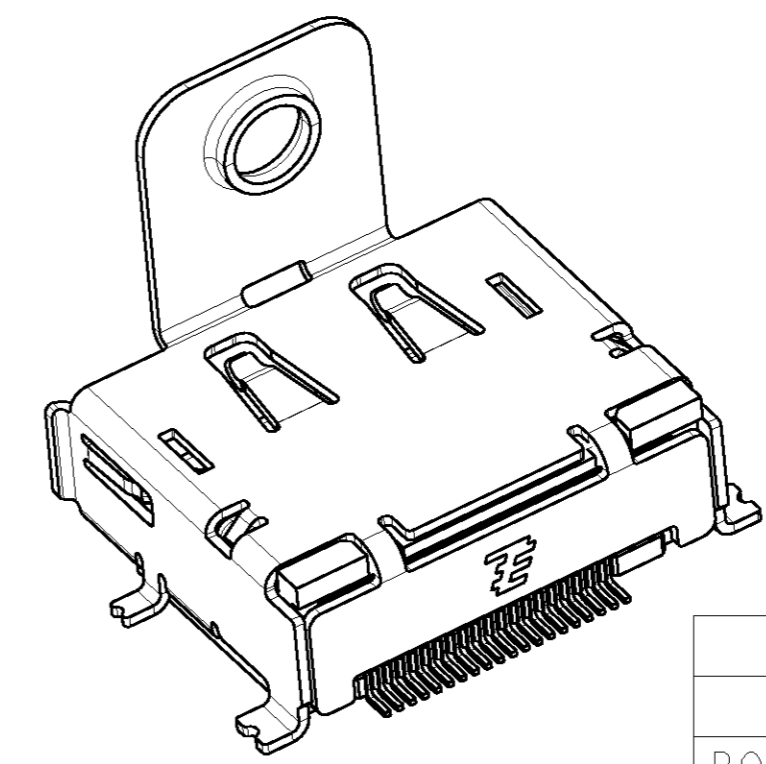
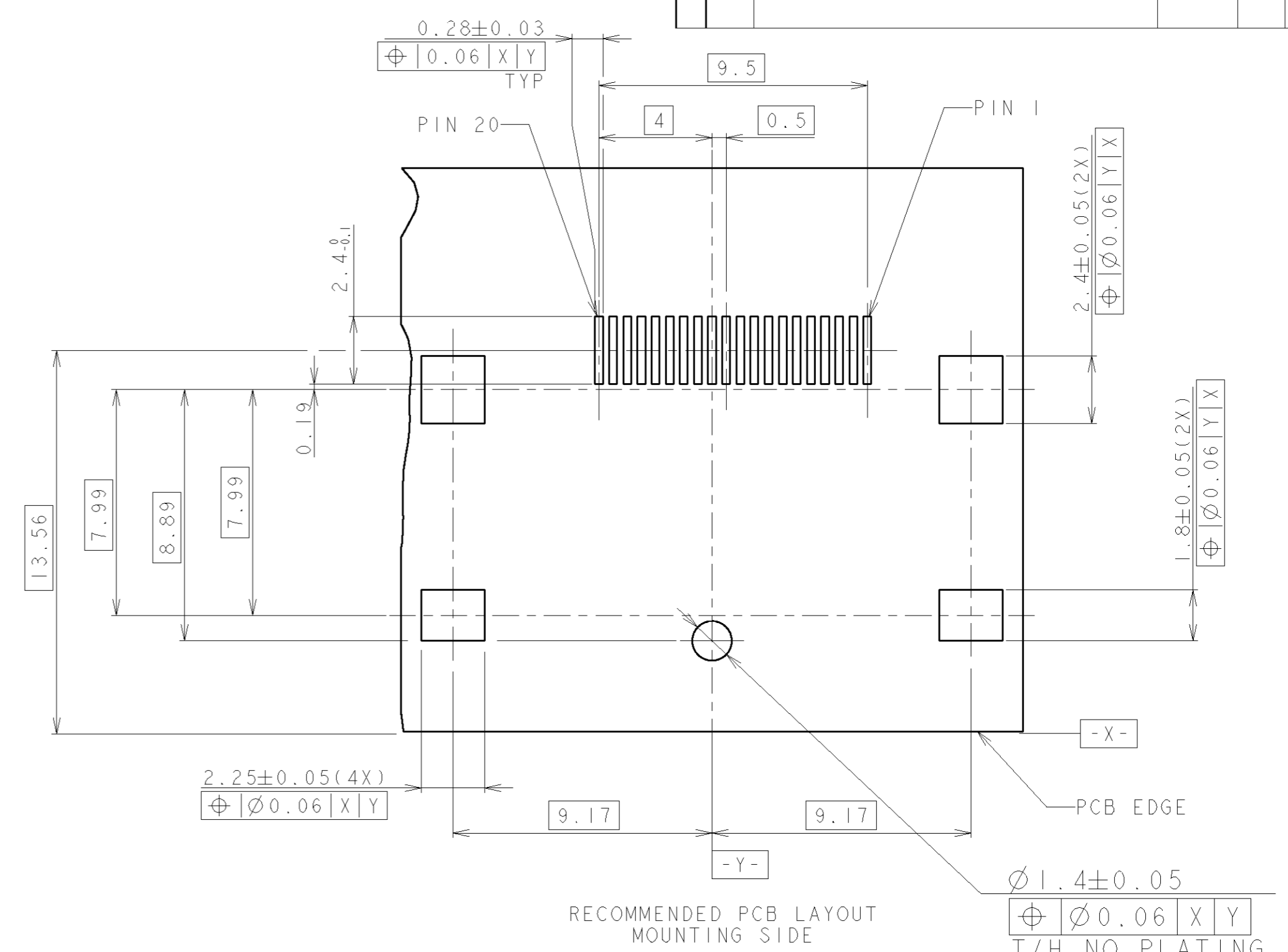
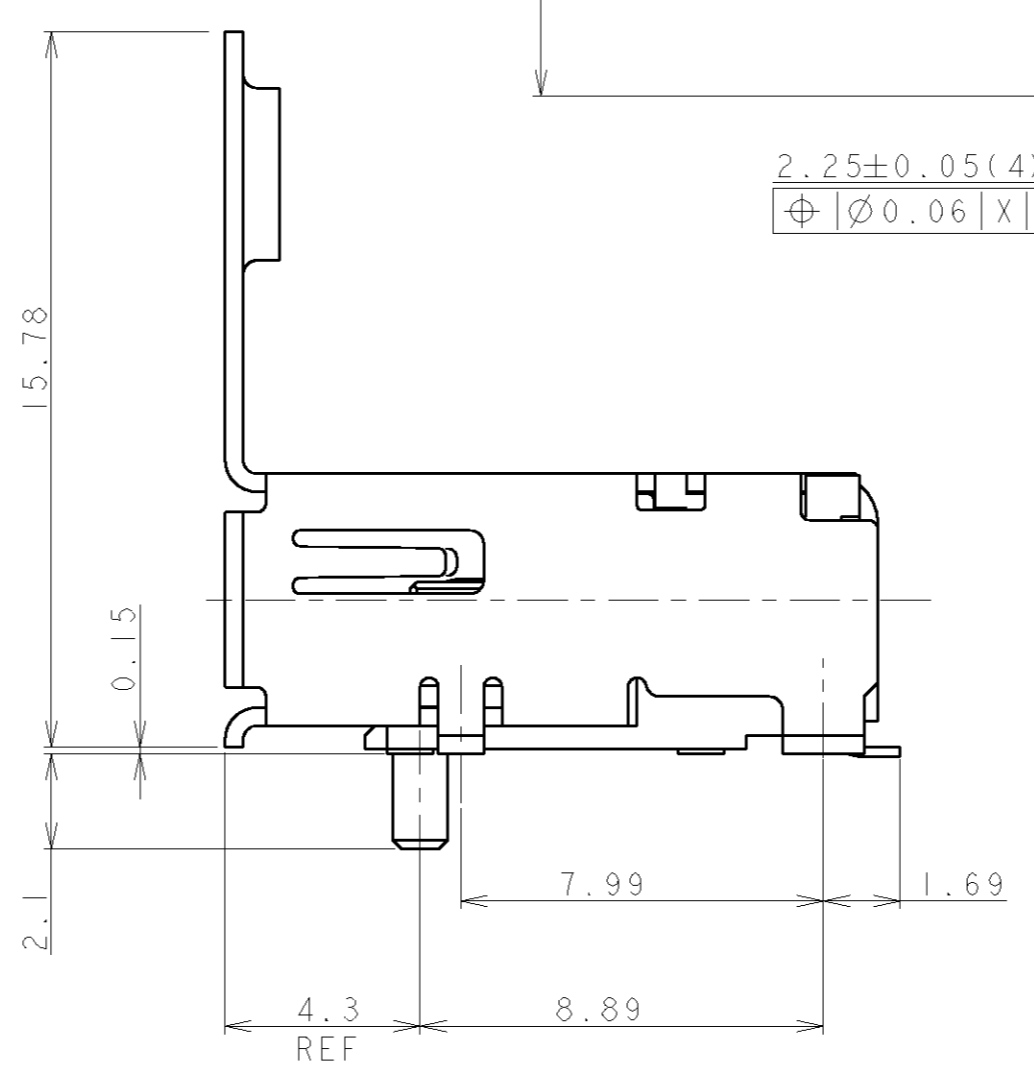
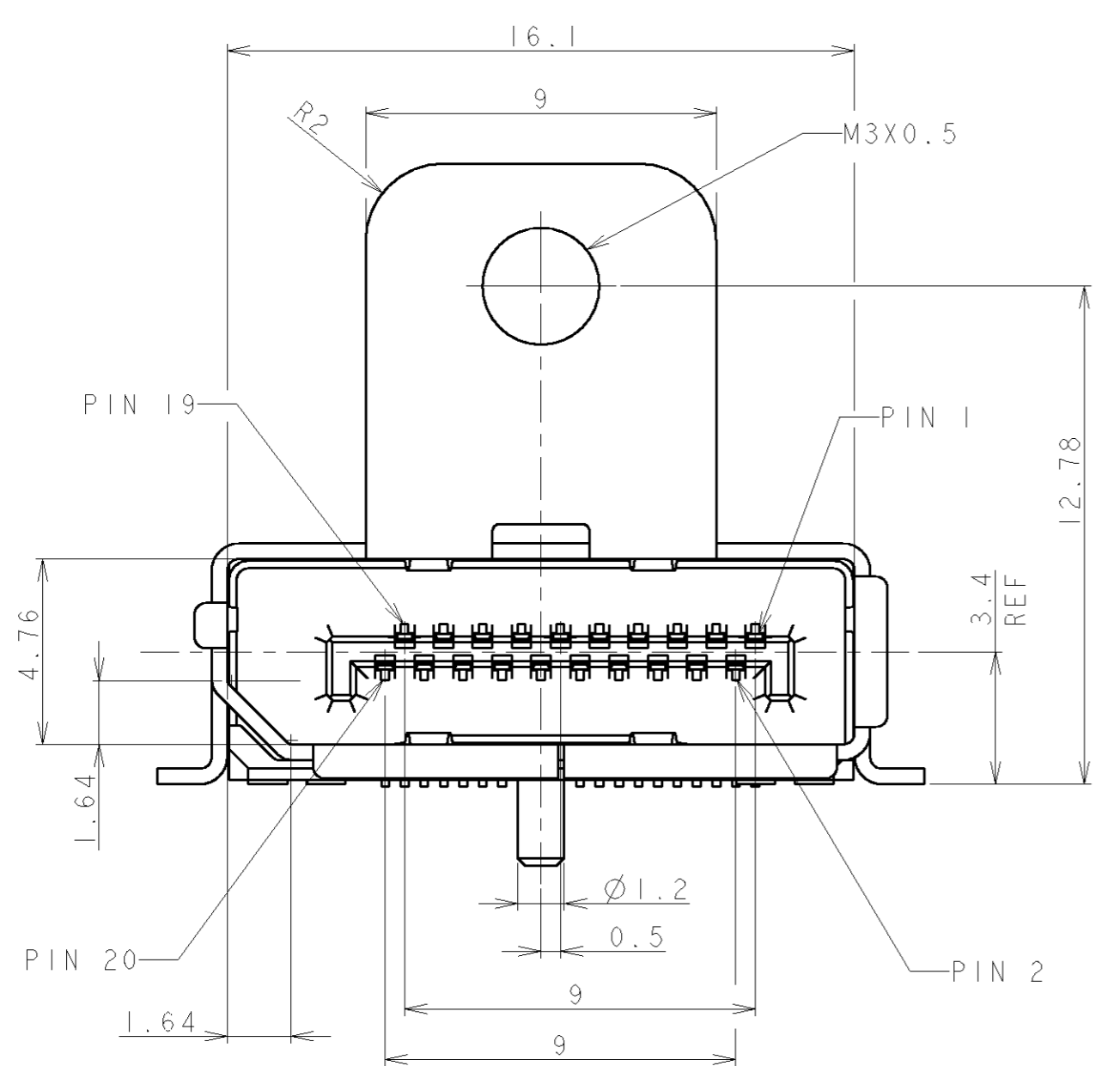
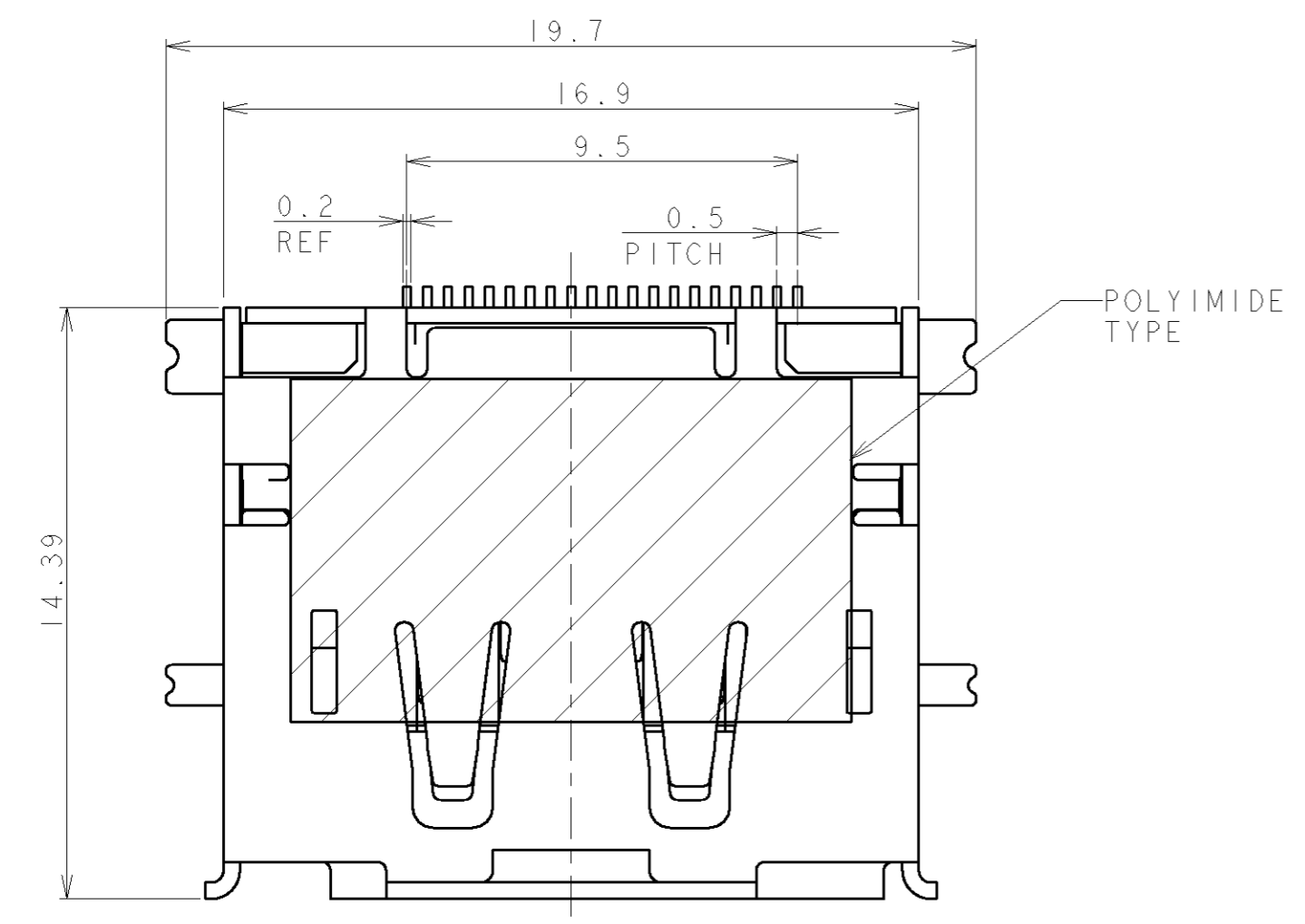


P/N: 5-2040247-5; AS SHOWN

LOC	DIST	REVISIONS					
J		P	LTR	DESCRIPTION	DATE	DWN	APVD
		AI	REVISED		11JUN08	Y.H	K.I



1 MATERIAL:
 HOUSING: HIGH TEMPERATURE THERMAL PLASTIC, BLACK, UL94V-0.
 CONTACT: COPPER ALLOY.
 SHELL: COPPER ALLOY.

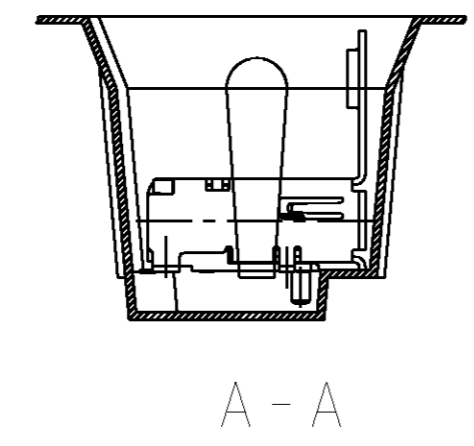
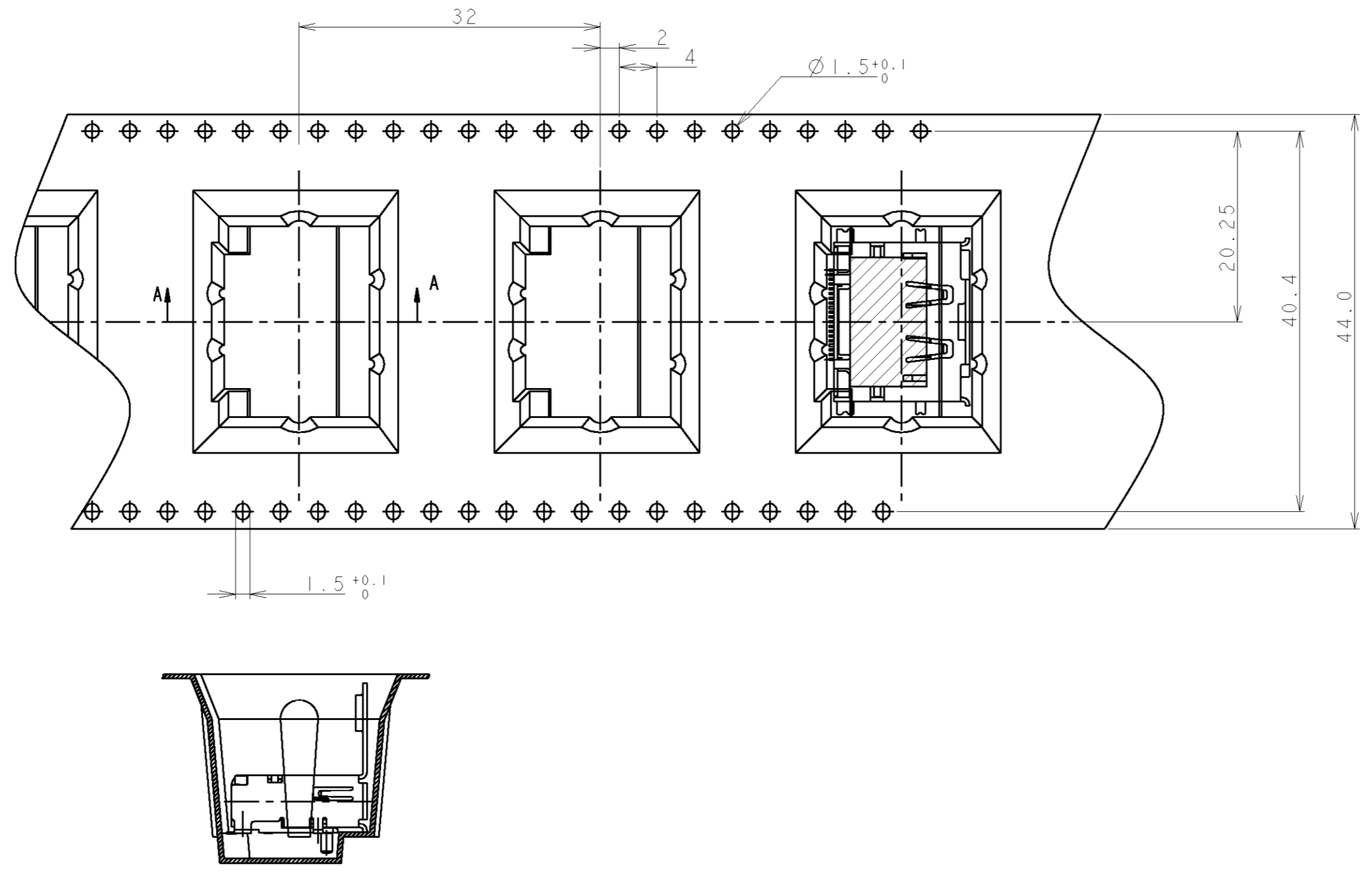
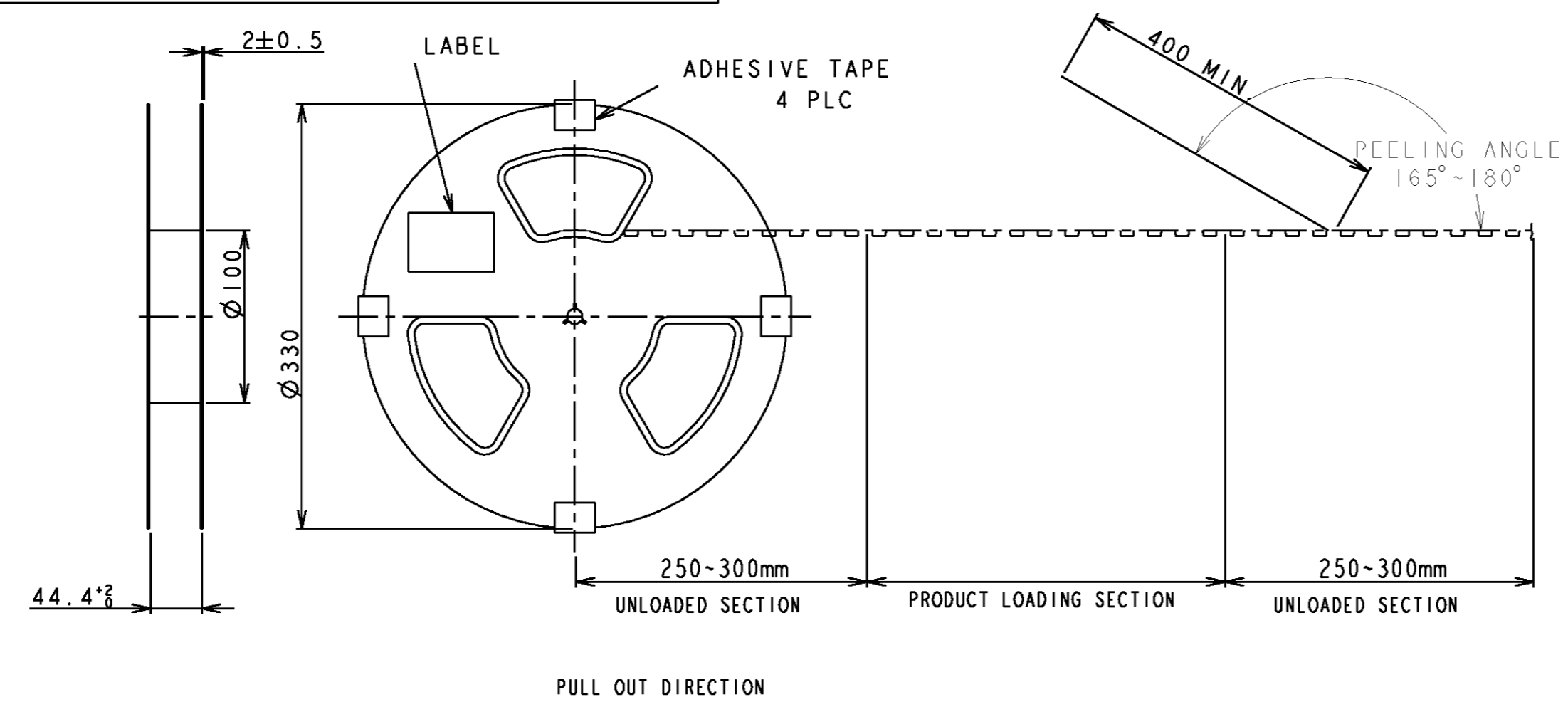
2 FINISH:
 CONTACT: CONTACT AREA: 0.76 MINIMUM MICRON GOLD PLATING OVER 1.27 MINIMUM MICRON NICKEL PLATING ALL
 SOLDER TAIL AREA: 2.54 MINIMUM MICRON TIN PLATING.
 SHELL: MATTE TIN PLATING
 3. THIS PRODUCT IS PACKED IN REEL.

WITH	5-2040247-5
WITH OUT	2040247-5
POLYIMIDE TAPE	PART NUMBER

THIS DRAWING IS A CONTROLLED DOCUMENT FOR TYCO ELECTRONICS CORPORATION IT IS SUBJECT TO CHANGE AND THE CONTROLLING ENGINEERING ORGANIZATION SHOULD BE CONTACTED FOR THE LATEST REVISION.		DWN Y. HIRATA 15FEB2008	Tyco Electronics Corporation Kawasaki, Japan	
DIMENSIONS: 単位: 絶 mm		CHK T. KUSUHARA 15FEB2008	NAME RECEPTACLE ASSEMBLY DISPLAYPORT RA SMT STD SMT-LEG WITH FLANGE	
TOLERANCES UNLESS OTHERWISE SPECIFIED: 一般公差 0 PLC ±0.3 1 PLC ±0.3 2 PLC ±0.3 3 PLC ±0.3 4 PLC ±0.3 ANGLES ±2° FINISH 仕上		APVD T. KUSUHARA 15FEB2008	SIZE A200779	
MATERIAL 材料		PRODUCT SPEC 製品規格 108-78515	DRAWING NO G=2040247	
CUSTOMER DRAWING		APPLICATION SPEC 取付適用規格	RESTRICTED TO	
		WEIGHT	SCALE 3:1 SHEET 1 OF 2 REV AI	

THIS DRAWING IS UNPUBLISHED. RELEASED FOR PUBLICATION 2008
 © COPYRIGHT 2008 BY TYCO ELECTRONICS CORPORATION. ALL RIGHTS RESERVED.

LOC	DIST	REVISIONS			
P	LTR	DESCRIPTION	DATE	DWN	APVD
-	-	SEE SHEET 1	-	-	-



THIS DRAWING IS A CONTROLLED DOCUMENT FOR TYCO ELECTRONICS CORPORATION. IT IS SUBJECT TO CHANGE AND THE CONTROLLING ENGINEERING ORGANIZATION SHOULD BE CONTACTED FOR THE LATEST REVISION.		DWN	Tyco Electronics Corporation Kawasaki, Japan		
DIMENSIONS: mm		CHK	NAME RECEPTACLE ASSEMBLY DISPLAYPORT RA SMT STD SMT-LEG WITH FLANGE		
TOLERANCES UNLESS OTHERWISE SPECIFIED: 0 PLC ± 0.3 1 PLC ± 0.3 2 PLC ± 0.3 3 PLC ± 0.3 4 PLC ± 0.3 ANGLES $\pm 2^\circ$ FINISH		APVD	PRODUCT SPEC 108-78515	SIZE A200779	CAGE CODE C-2040247
MATERIAL		WEIGHT	DRAWING NO. RESTRICTED TO -		
CUSTOMER DRAWING		SCALE 3:1		SHEET 2 OF 2	REV A1